



30 Pine Street • New Rochelle • New York • 10801
 914 / 576 - 0200
 914 / 576 - 0605 fax
 1 - 800 - 431 - 2745 US & Canada
 www.bakerspride.com web address

CTB-24R/GS

Gas Char Broiler

PARTS LIST

Dante
 SERIES



Model Number: **CTB-24R/GS**

Serial Number _____

Type of Gas

Natural

L.P.

Other

CTB-24R/GS

Gas Char Broiler

30 Pine Street • New Rochelle • New York • 10801

914 / 576 - 0200

914 / 576 - 0605 fax

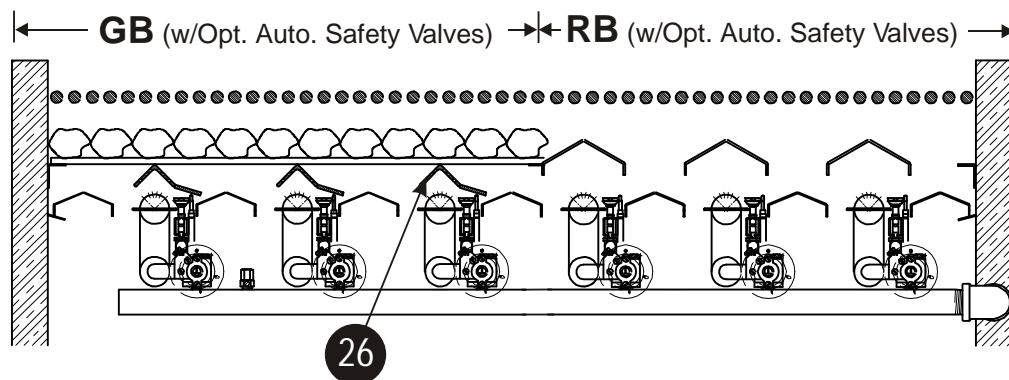
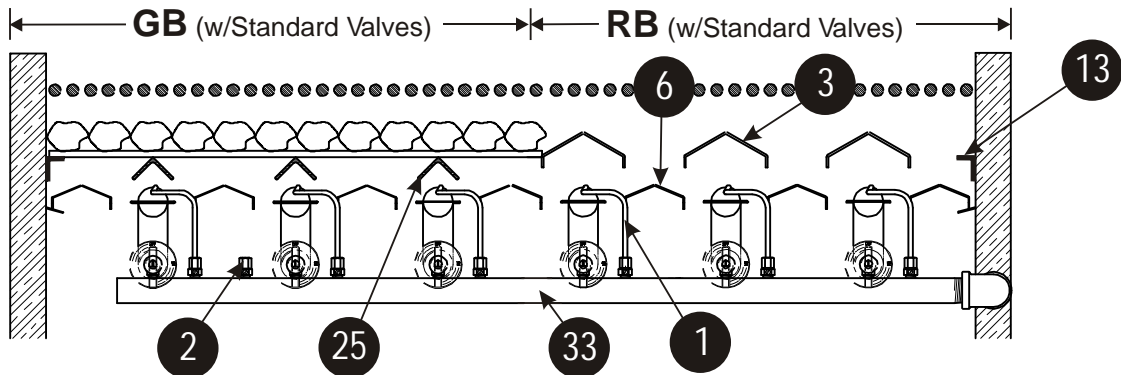
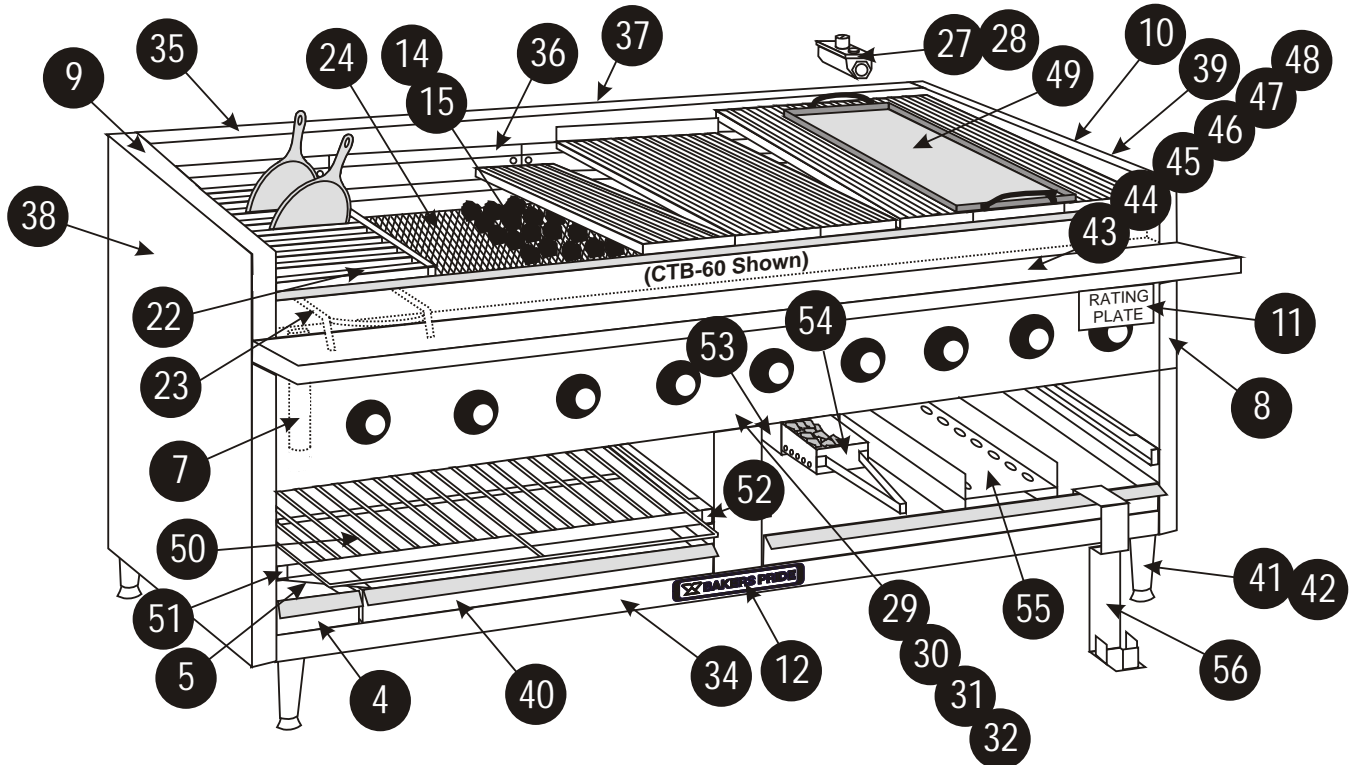
1 - 800 - 431 - 2745 US & Canada

www.bakerspride.com web address



Figure A

Exterior / Interior





30 Pine Street • New Rochelle • New York • 10801
 914 / 576 - 0200
 914 / 576 - 0605 fax
 1 - 800 - 431 - 2745 US & Canada
 www.bakerspride.com web address

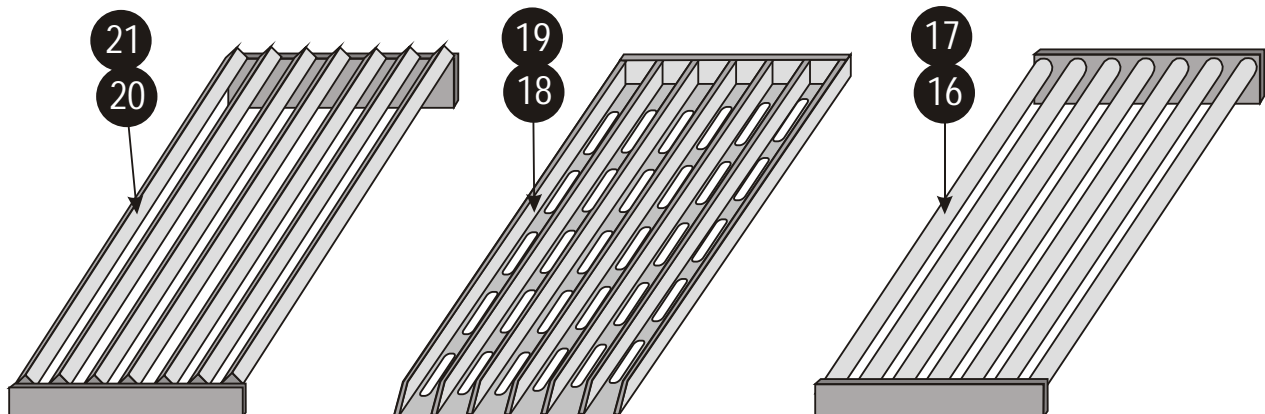
CTB-24R/GS

Gas Char Broiler

Item	Part #	Description	Item	Part #	Description
Exterior / Interior					
1	R3042X	Pilot Tube, 7 3/8" w/Nut & Ferrule	29	G5065K	Control Panel-24
2	N3068P	Pressure Tap Nozzle	30	G5066K	Control Panel, CE-24
3	G5073X	Radiant S/S (Standard)	31	U1320A	Control Panel Overlay-24
4	G5069K	Grease Drawer	32	U1325A	Control Panel Overlay, CE-24
5	G5070U	Grease Shield Assy	33	R1119A	Manifold-24
6	G5072K	Heat Shield	34	G5058K	Front Trim-24
7	G5032U	Grease Drain Assy-24	35	G5059K	Back Trim-24
8	G5212K	Manifold Cover	36	G5042X	Top Grate Support, 20 1/2" /1
9	G5060K	Side Trim, Left	37	G5050K	Outer Back-CTB24
10	G5061K	Side Trim, Right	38	G5054K	Outer Side, Left-CTB
11	G5205K	Rating/Instruction Plate Mount	39	G5055K	Outer Side, Right-CTB
12	U1044X	Bakers Pride Name Plate, 8"	40	G5067K	Drip Pan, 16 1/2" /1
13	G5039K	Bottom Grate Support, L or R Side	41	S1014Y	Legs, 4" (Standard) each
14	T1047X	Glo-Stones, 1/2 Lot (20#)	42	S1014X	Legs, 4" (Standard) Set/4
15	T1048X	Glo-Stones, Full Lot (40#)	43	G5035K	Work Deck-24
16	T1197X	Top Roll-A-Grate, 9" (Standard) /1	44	G5031U	Front Brace Assy-24
17	T1198X	Top Roll-A-Grate, 6" (Standard) /2	45	G5286K	Work Deck-24, 10"
18	T1212A	Top Grate, 6", Cast Iron (Optional)	46	G5289U	Front Brace Assy-24, 10"
19	T1216A	Top Grate, 4 1/2", Cast Iron (Optional)	47	G5306K	Work Deck-24, 12"
20	T1210X	Meat Grate, 6" (Optional)	48	G5307U	Front Brace Assy-24, 12"
21	T1211X	Meat Grate, 9" (Optional)	49	T1209U	Breakfast Griddle, 11"W (Optional)
22	T1213T	Fajita Top Grate (Optional)	50	T1206U	Wire Rack, 21" /1
23	T1214T	Fajita Bottom Grate (Optional)	51	G5131U	Left Wire Rack Guide Assy
24	T1201A	Bottom Grate, S/S, 20" /1	52	G5132U	Right Wire Rack Guide Assy
25	G5040U	Bottom Grate Support /3	53	G5180U	Smoker Box Assy (No Drawer)
26	G5041U	Bottom Grate Support (CE) /3	54	G5187U	Drawer, Smoker Box
27	M1009X	Pressure Regulator 3/4", 10"WC (LP)	55	G5182U	Log Support (Optional)
28	M1184X	Pressure Regulator 3/4", 3.5"WC(Nat)	56	G5186K	Bottle Holder, RH (Optional)

Figure B

Grates



CTB-24R/GS

Gas Char Broiler

30 Pine Street • New Rochelle • New York • 10801

914 / 576 - 0200

914 / 576 - 0605 fax

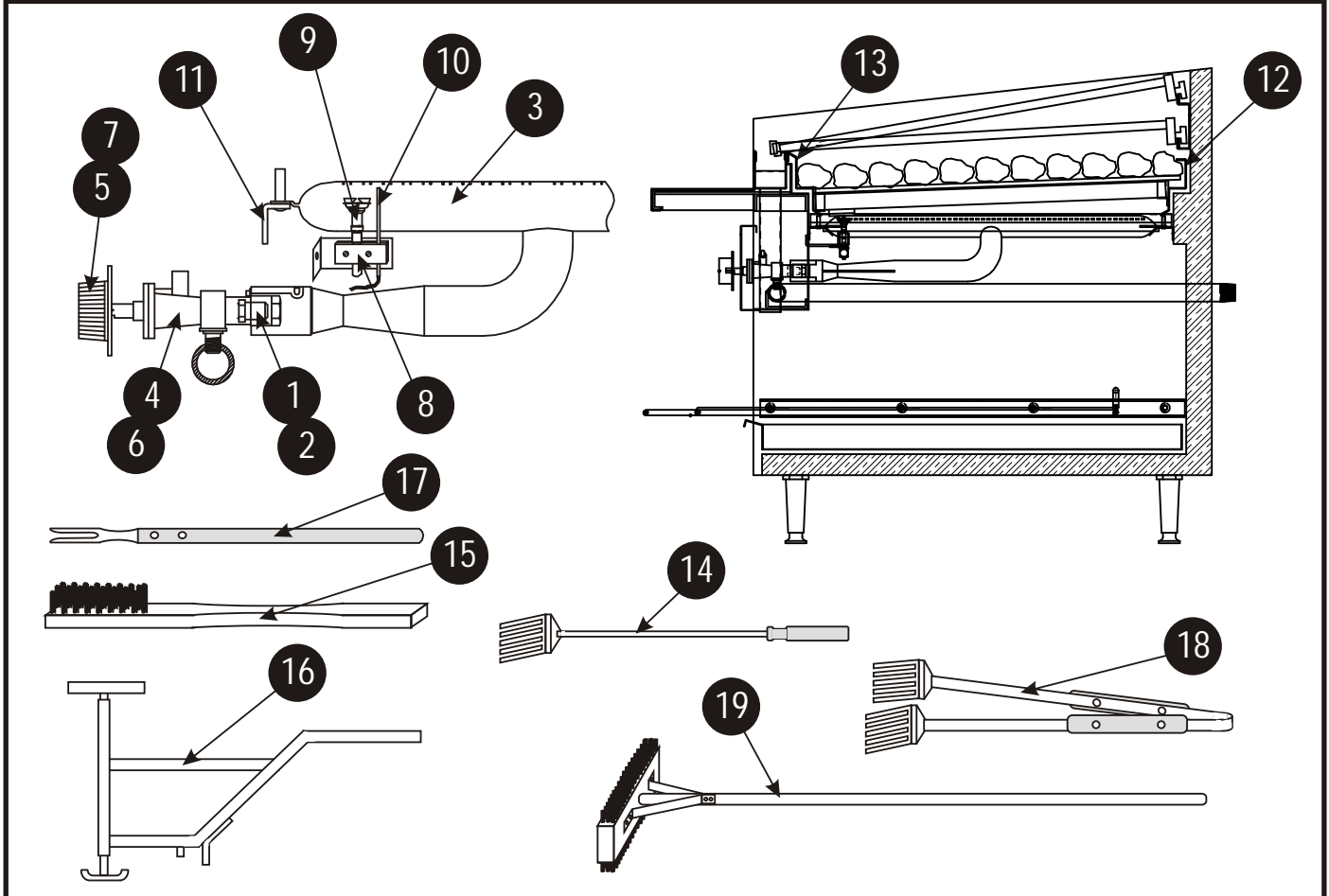
1 - 800 - 431 - 2745 US & Canada

www.bakerspride.com web address



Figure C

Burner / Accessories / Supports



Item	Part #	Description	Item	Part #	Description
1	R3136X	Hood Orifice #54 (LP)	11	G5028U	Burner Support Assy, 17" /2
2	R3130X	Hood Orifice #44 (Nat)	12	G5044U	Radiant Support Assy, Rear 18" /1
3	L5077X	Burner, Center Feed	13	G5046U	Radiant Support Assy, Front 18" /1
4	R3032X	Gas Valve	14	T5018V	Spatula, Chef-Aide, 20" Single
5	S1094X	Knob, Gas Valve	15	T5017X	Wire Brush, Chef-Aide, 18"
6	R3128X	Gas Valve (used w/Pilot Safety)	16	G5221U	Grate Lifter
7	S1301X	Knob, Gas Valve, CE (used w/Pilot Safety)	17	T5016A	Meat Fork
8	G5064K	Pilot Bracket (used w/Pilot Safety)	18	T5019V	Steak Turner
9	M1359X	Pilot Burner (used w/Pilot Safety)	19	T5104V	Twin Head Grate Brush
10	M1358X	Thermocouple, 10" (used w/Pilot Safety)			
Conversion Kit (LP to Nat)			Conversion Kit (Nat to LP)		
3	R3130X	Hood Orifice #44 (Nat)	3	R3136X	Hood Orifice #54 (LP)
1	M1184X	Pressure Regulator 3/4", 3.5"WC(Nat)	1	M1009X	Pressure Regulator 3/4", 10"WC (LP)